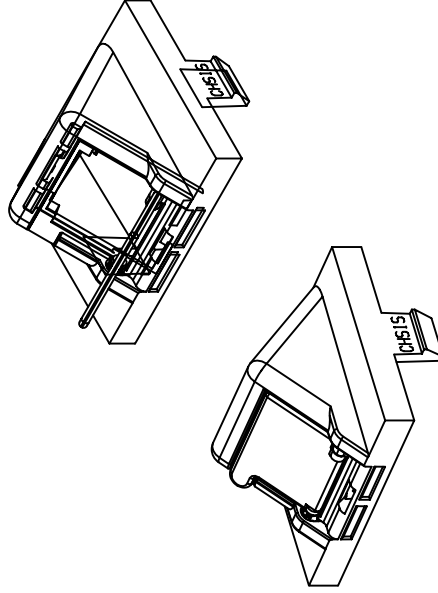
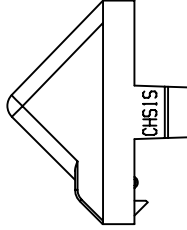
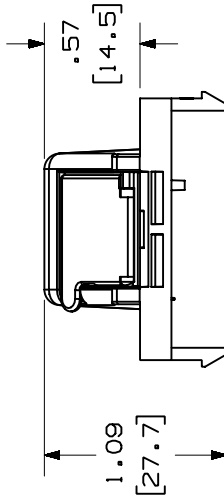
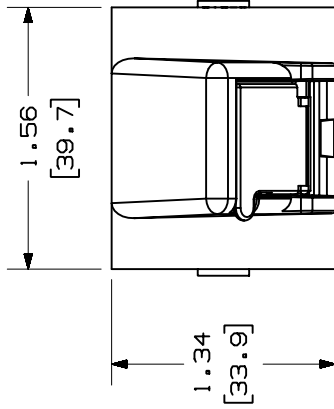


THIS COPY IS PROVIDED ON A RESTRICTED BASIS AND IS NOT TO BE USED IN ANY WAY DETRIMENTAL TO THE INTERESTS OF PANDUIT CORP.

* PANDUIT P/N	WEIGHT
CHS1S**	.15 LB/10 PCS (68.0 g/10 PCS)

- NOTES:
- SEE CURRENT CATALOG FOR ADDITIONAL PART NUMBER SUFFIXES TO INDICATE COLOR AND OR PACKAGE QUANTITY. THIS PART IS TO BE USED WITH THE MINI-COM BEZELS AND MINI-COM MODULES. DIMENSIONS IN PARENTHESES ARE IN METRIC.
 -
 -



CAD FILENAME/LAYERS

M00762AA_DC_00A.PRT

PANDUIT

CORP. TINLEY PARK, ILLINOIS

1 POSITION SLOPED SHUTTERED INSERT (CHS1S**) CUSTOMER DRAWING

UNLESS OTHERWISE SPECIFIED, DIMENSIONAL TOLERANCES ARE:
(.X) ±.010(.3)
(.XX) ±.03(.8) ANGLES ±

UNLESS OTHERWISE SPECIFIED, ALL DIMENSIONS ARE GIVEN IN INCHES, THIRD ANGLE PROJECTION.

DRAWN BY JSP
DATE 10-27-99
CHECKED BY

MAT'L:

SCALE

NONE

ABS

ABS

DRAWING NO.

00762-03

DWG
SIZE
A

RELEASED TO PRODUCTION.

R 10-27-99 JSP

REV DATE BY CHK

DESCRIPTION

ECN

CHK

CUST

SUP

ABS

DRAWING NO.

00762-03

DWG
SIZE
A